

# VentureClad™ Jacketing



*Patented laminated foil/film facing for interior and exterior applications*

## Installation Instructions

### Surface Preparation

Ensure that all surfaces are dry and clean, free from dust, oil and grease/silicone. All insulation should be taped securely, giving an even surface for the VentureClad application. All adhesives work best when firmly "wetted out" to the substrate surfaces.

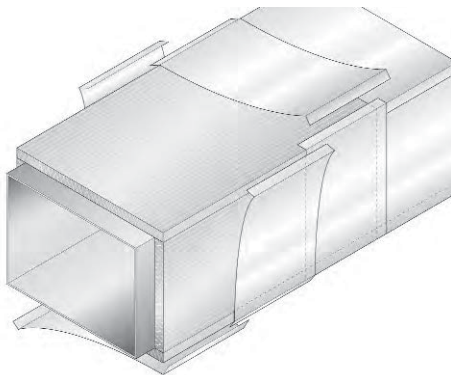
When applying, partly peel back and crease the liner so enough adhesive is available to attach the VentureClad in the correct position. Then, with a spreader, progressively remove the liner while smoothing, until the entire sheet has been applied.

When applying VentureClad sheet onto a continuous surface until it meets itself, a 3 inch (75 mm) overlap is recommended to give a strong, weatherproof seal. Plan the wrap so that the edge of the sealing flap faces down.

### Application to Rectangular Ductwork

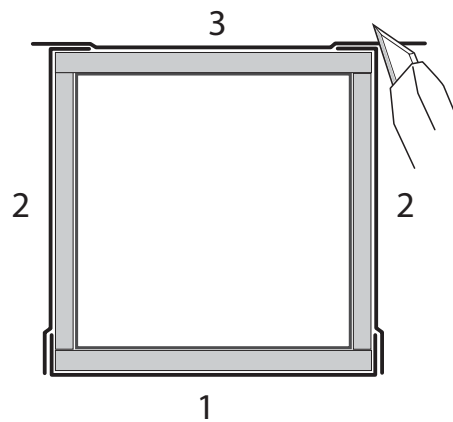
On ductwork over 32 inches (80 cm) wide, it is recommended that the top be crowned (pitched), to allow water runoff, preventing pooling.

For fast, easy application, VentureClad should be applied to each of the sides separately, starting with the bottom surface, then the sides, and finally the top.



Pre-cut the VentureClad to the required size, plus an additional overlap of 3 inches (75 mm) for each adjoining surface.

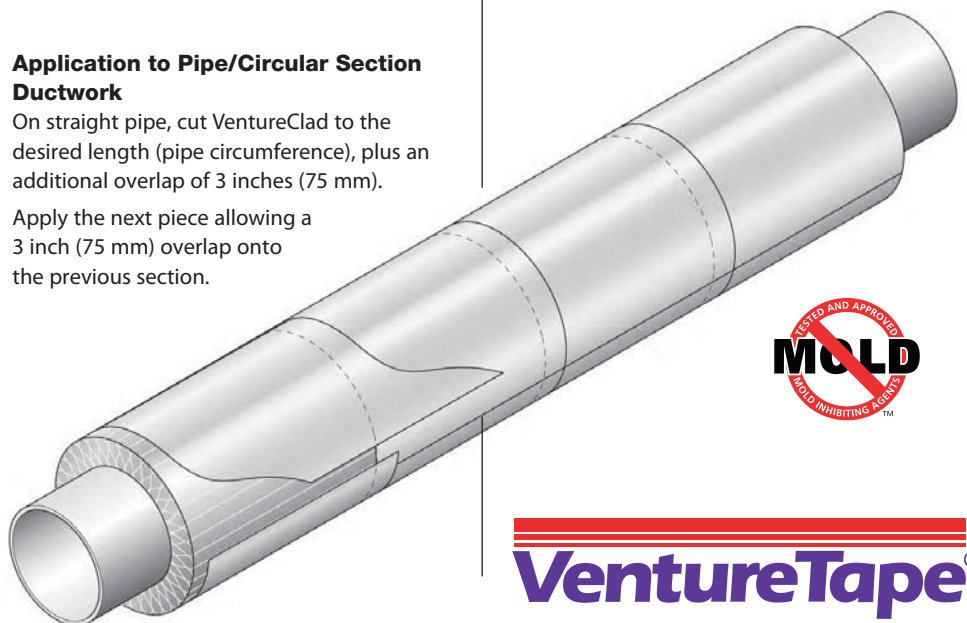
When applying to rectangular ductwork, apply to the bottom surface first, bringing the 3 inch (75 mm) overlap up, onto the sides. Next apply VentureClad to the vertical surface, bringing the 3 inch (75 mm) overlap over onto the top surface. Finally, apply VentureClad to the top of the duct, spreading toward the edges before trimming at the corners.



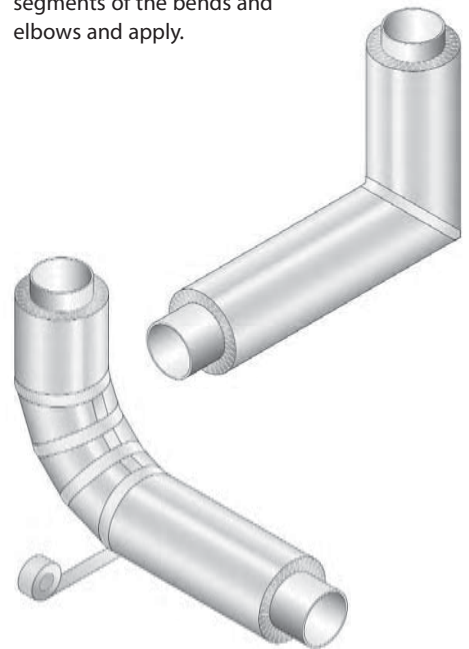
### Application to Pipe/Circular Section Ductwork

On straight pipe, cut VentureClad to the desired length (pipe circumference), plus an additional overlap of 3 inches (75 mm).

Apply the next piece allowing a 3 inch (75 mm) overlap onto the previous section.



On bends and elbow configurations, pre-cover the pipe insulation with VentureClad. Cut out the required shapes to cover the segments of the bends and elbows and apply.



**VentureTape®**

### Application to Ductwork Reducer

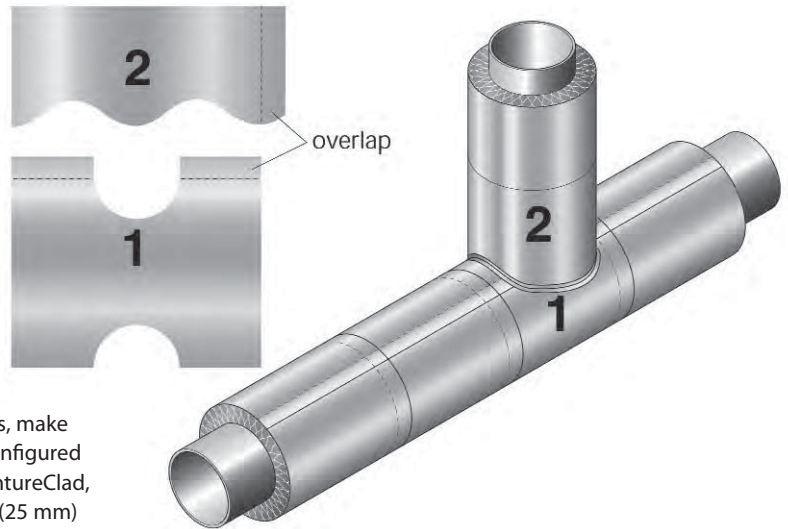
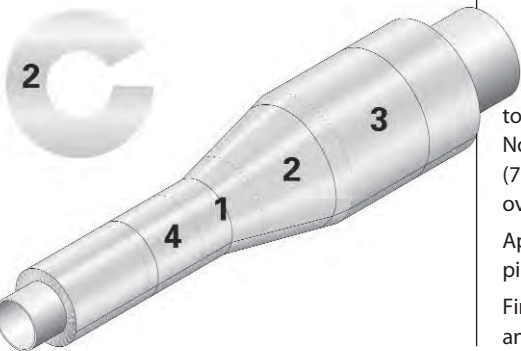
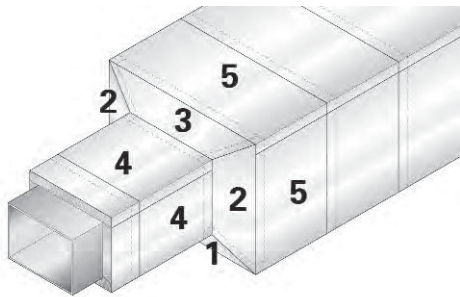
Starting from the bottom, work upwards allowing an overlap of 3 inches (75 mm) onto adjacent surfaces.

First apply VentureClad to surface No.1, and overlap onto each adjoining surface.

Apply VentureClad to surface No.2, and overlap onto surfaces no. 3, 4, and 5, sealing onto the overlap and trimming flush at surface No.1, to achieve a neat, secure finish.

Apply VentureClad to surface No.3 in the same manner as to surface No.2, but seal onto the overlap and trim at surface No.2.

Finally, apply VentureClad to surfaces No.4 and 5 as with other rectangular ductwork.



On "tee" sections, make appropriately configured templates of VentureClad, leaving a 1 inch (25 mm) overlap.

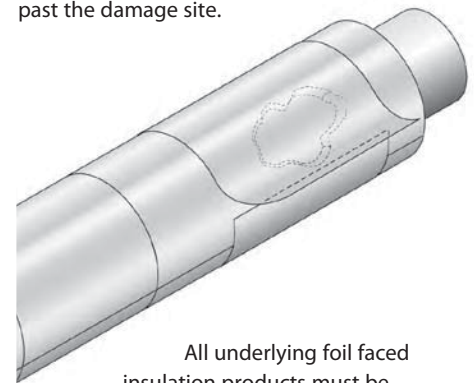
On reduced pipe, apply VentureClad first to surface No.1, overlapping onto surface No.2. Cut shape No. 2, allowing for 3 inch (75 mm) overlap, and apply to surface No.2, overlapping onto section No.1.

Apply VentureClad to surface No.3 overlapping and sealing onto section No.2.

Finally, apply to surface No.4, overlapping and sealing onto section No.1.

### Repair of VentureClad

Should damage occur, simply ensure that the surface is clean, and apply a new section of VentureClad over the damaged area, to a minimum of 3 inches (75 mm) past the damage site.



All underlying foil faced insulation products must be sealed with Venture foil or FSK tape to maintain conditions of Limited Warranty.

### Limited Warranty

Products sold by Venture Tape Corp. are warranted upon delivery to be of the quality set forth in the specifications. Venture Tape Corp. makes no other representations or warranties, expressed or implied, including but not limited to, the implied warranties of merchantability and fitness for a particular purpose. Should a product sold by Venture Tape Corp. not be as warranted, Venture Tape Corp.'s sole obligation shall be, at its sole option, to repair, correct or replace the products, or, at Venture Tape Corp.'s sole discretion, to refund amounts paid for such product upon its return to a location designated by Venture Tape Corp. No product may be returned to Venture Tape Corp. without prior written approval. Any return must be shipped within 14 days of delivery. Venture Tape Corp. shall in no event have any responsibility for any damages beyond the cost of the product, either for labor, expense or other damages of any sort including special, incidental or consequential damages incurred by the buyer or user. Determination of the suitability of the product to its application and product installation are solely the responsibility of the buyer.

# VentureTape®



**Venture Tape Corp.**  
30 Commerce Road  
Rockland, Massachusetts  
02370 U.S.A.  
Tel 781-331-5900  
800-343-1076 (U.S.A.)  
800-544-1024 (Canada)  
Fax 781-871-0065  
www.venturetape.com  
sales@venturetape.com

**Venture Tape Europe Corp.**  
Units 5/6, Faraday Close  
Drayton Fields, Daventry  
Northants, England  
NN11 8RD  
Tel +44 (0) 1327 876555  
Fax +44 (0) 1327 876444  
Toll Free from U.K.  
800-962-957

**BoMa S.r.l./ Venture Tape Group**  
Via Aquileia 22/30  
34070 Villesse (GO) Italy  
Tel 39 0481 9643.11  
Fax 39 0481 91440  
www.boma.it  
Toll Free from Italy  
800-246-4059

**Venture Tape Australasia, Pty. Ltd.**  
90A Northgate Drive  
Thomastown 3074  
Victoria, Australia  
Tel 61 3 9464 2089  
Fax 61 3 9464 7268  
Toll Free from Australia  
800 122-797

Toll Free to U.S.A. from: Germany 0131 822178, Belgium 0 800 1-5625, Italy 800-246-4059, Netherlands 0800-022-2038, Singapore 800-1100695, Mexico 800-343-1076

\*Patents USA and Canada. Venture Tape® and CW® are registered trademarks, and VentureClad™ is a trademark of Venture Tape Corp.  
©2002-2005 Venture Tape Corp. Printed in U.S.A. 5/05 Product specifications are subject to change without notice.