



INSULATION FABRICATORS, INC

6350 Indianapolis Blvd.

Hammond, IN 46320

PHONE (219) 937-4485

(800) 775-4485 and (773) 375-5511

FAX (219) 937-2120

E-Mail: IFI@INSULATIONFABRICATORS.COM

WWW.INSULATIONFABRICATORS.COM

**INSULATED PIPE SUPPORTS
POLYISOCYANURATE 2# / 6# (ISO)**

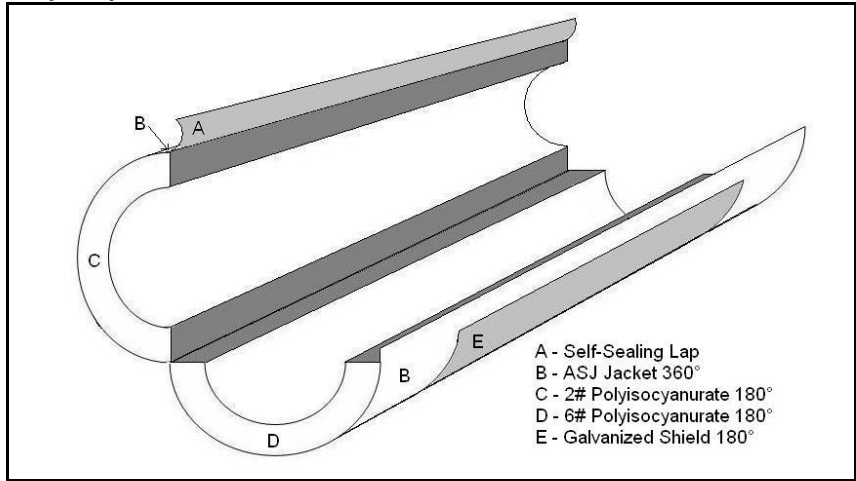
MODEL: IAS2060

USES:

- Cryogenic
- Refrigeration
- Hot or Cold Water
- Low Pressure Steam
- Dual Temperature

FEATURES:

- Ships as one complete unit for easy installation
- 360° All Service Jacket gives a finished look
- Fabricated to fit Copper Tube and Iron pipe sizes
- Heat-loss and/or condensation are minimized
- Galvanized Shield included to protect insulation from hanger



Maximum Load Ratings (lbs)		
I.P.S.	Clevis	Trapeze
1.25"	364	140
1.5"	420	140
2"	525	140
2.5"	630	315
3"	770	315
3.5"	882	315
4"	994	560
5"	1246	560
6"	1456	560
8"	1904	875
10"	2373	875
12"	2814	875
14"	3080	1260
16"	3528	1260
18"	3969	1260
20"	4410	1260
24"	5292	1260

MATERIAL DATA: IAS2060

Insulation:

- Dow Trymer 2000 XP & 6000 - Polyisocyanurate
- Temperature Range: -297° F to +300° F
- Bottom Insulation Density: 6.00 lbs/ft³
- Top Insulation Density: 2.05 lbs/ft³
- Trymer 6000 - Compressive Strength: 140 psi
- Trymer 2000 XP - Compressive Strength: 25 psi

All Service Jacket:

- High Intensity Jacket - White
- Flame Resistant Adhesive
- Mold Resistance: No Growth

Galvanized Shield:

- Galvanized Coated Steel used to protect piping insulation from compressing at hanger location
- Flared edges to protect vapor barrier on insulation

**Load ratings apply to 6# Iso on bottom 180°

LOAD RATINGS ARE BASED ON THE FOLLOWING:

1. Minimum strap width on Clevis hanger is 2".
2. Minimum width of bearing surface on Trapeze support:

Width	Pipe Size
1"	.5" IPS - 2" IPS
1.5"	2.5" IPS - 3.5" IPS
2"	4" IPS - 8" IPS
3"	9" IPS - Above

Standard Pipe Support Lengths and Gauges																		
<i>A = Total Pipe Support Length B = Galv. Shield Length C = Galv. Shield Gauge</i>																		
	1"			1 1/2"			2"			2 1/2"			3"			4"		
I.P.S.	A	B	C	A	B	C	A	B	C	A	B	C	A	B	C	A	B	C
.5" - 2"	9"	6"	22	9"	6"	22	9"	6"	22	9"	6"	22	9"	6"	22	9"	6"	22
2.5"-5"	9"	6"	20	9"	6"	20	12"	9"	20	12"	9"	20	12"	9"	20	12"	9"	20
6"-10"	N/A	N/A	N/A	12"	9"	20	12"	9"	20	12"	9"	20	12"	9"	20	12"	9"	20
12"-18"	N/A	N/A	N/A	15"	12"	18	15"	12"	18	15"	12"	18	15"	12"	18	15"	12"	18