



INSULATION FABRICATORS, INC

6350 Indianapolis Blvd.

Hammond, IN 46320

PHONE (219) 937-4485

(800) 775-4485 and (773) 375-5511

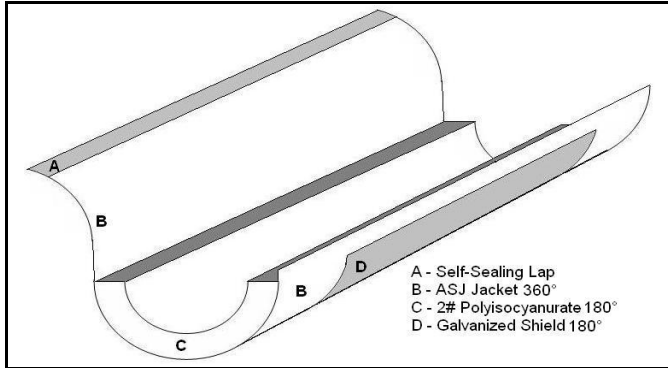
FAX (219) 937-2120

E-Mail: IFI@INSULATIONFABRICATORS.COM

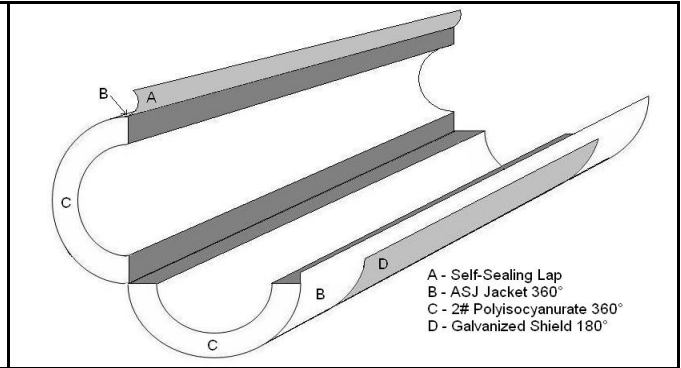
WWW.INSULATIONFABRICATORS.COM

**INSULATED PIPE SUPPORTS
POLYISOCYANURATE 2# (ISO)**

MODEL: IAS2000



A - Self-Sealing Lap
B - ASJ Jacket 360°
C - 2# Polyisocyanurate 180°
D - Galvanized Shield 180°



A - Self-Sealing Lap
B - ASJ Jacket 360°
C - 2# Polyisocyanurate 360°
D - Galvanized Shield 180°

USES:

- Cryogenic
- Refrigeration
- Hot or Cold Water
- Low Pressure Steam
- Dual Temperature

FEATURES:

- Ships as one complete unit for easy installation
- 360° All Service Jacket gives a finished look
- Fabricated to fit Copper Tube and Iron pipe sizes
- Heat-loss and/or condensation are minimized
- Galvanized Shield included to protect insulation from hanger

Maximum Load Ratings (lbs)		
I.P.S.	Clevis	Trapeze
1.25"	52	20
1.5"	60	20
2"	75	20
2.5"	90	45
3"	110	45
3.5"	126	45
4"	142	80
5"	178	80
6"	208	80
8"	272	125
10"	339	125
12"	402	125
14"	440	180
16"	504	180
18"	567	180
20"	630	180
24"	756	180

MATERIAL DATA: IAS2000

Insulation:

- Dow Trymer 2000 XP - Polyisocyanurate
- Temperature Range: -297° F to +300° F
- Density: 2.05 lbs/ft³
- Trymer 2000 XP - Compressive Strength: 25 psi

All Service Jacket:

- High Intensity Jacket - White
- Flame Resistant Adhesive
- Mold Resistance: No Growth

Galvanized Shield:

- Galvanized Coated Steel used to protect piping insulation from compressing at hanger location
- Flared edges to protect vapor barrier on insulation

LOAD RATINGS ARE BASED ON THE FOLLOWING:

1. Minimum strap width on Clevis hanger is 2".
2. Minimum width of bearing surface on Trapeze support:

Width	Pipe Size
1"	.5" IPS - 2" IPS
1.5"	2.5" IPS - 3.5" IPS
2"	4" IPS - 8" IPS
3"	9" IPS - Above

Standard Pipe Support Lengths and Gauges

A = Total Pipe Support Length B = Galv. Shield Length C = Galv. Shield Gauge

I.P.S.	1"			1 1/2"			2"			2 1/2"			3"			4"		
	A	B	C	A	B	C	A	B	C	A	B	C	A	B	C	A	B	C
.5" - 2"	9"	6"	22	9"	6"	22	9"	6"	22	9"	6"	22	9"	6"	22	9"	6"	22
2.5"-5"	9"	6"	20	9"	6"	20	12"	9"	20	12"	9"	20	12"	9"	20	12"	9"	20
6"-10"	N/A	N/A	N/A	12"	9"	20	12"	9"	20	12"	9"	20	12"	9"	20	12"	9"	20
12"-18"	N/A	N/A	N/A	15"	12"	18	15"	12"	18	15"	12"	18	15"	12"	18	15"	12"	18